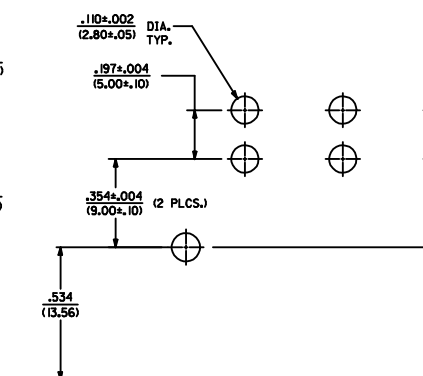
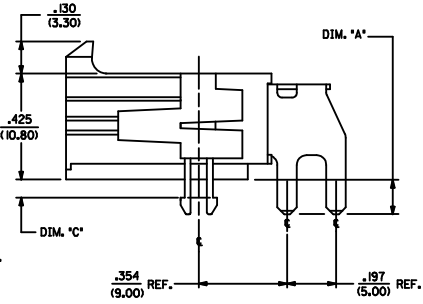
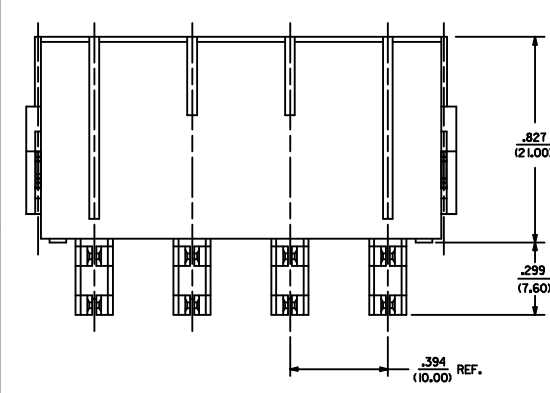
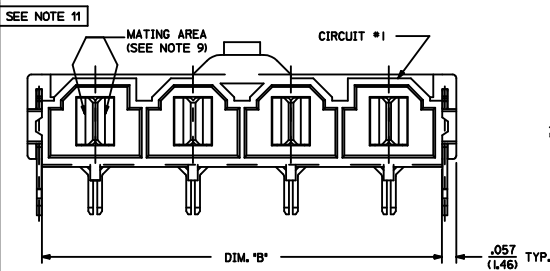


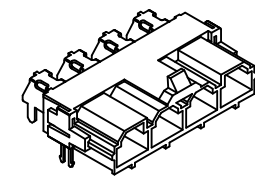
ITEM NUMBER	CKT. SIZE	DIM. 'A'	DIM. 'B'	DIM. 'C'	TERMINAL PLATING
42820-2212	2	.138/(3.50)	.823/(20.90)	.071/(1.80)	
42820-2219	2	.136/(3.50)	.823/(20.90)	.071/(1.80)	
42820-2222	2	.201/(5.10)	.823/(20.90)	.102/(2.60)	
42820-2232	2	.201/(5.10)	.823/(20.90)	.134/(3.40)	
42820-2239	2	.201/(5.10)	.823/(20.90)	.134/(3.40)	
42820-2242	2	.327/(8.30)	.823/(20.90)	.259/(6.58)	
42820-3212	3	.138/(3.50)	1.217/(30.90)	.071/(1.80)	
42820-3222	3	.201/(5.10)	1.217/(30.90)	.102/(2.60)	
42820-3229	3	.201/(5.10)	1.217/(30.90)	.102/(2.60)	
42820-3232	3	.201/(5.10)	1.217/(30.90)	.134/(3.40)	
42820-3242	3	.327/(8.30)	1.217/(30.90)	.259/(6.58)	
42820-4212	4	.138/(3.50)	1.610/(40.90)	.071/(1.80)	OVERALL BRIGHT TIN
42820-4222	4	.201/(5.10)	1.610/(40.90)	.102/(2.60)	
42820-4232	4	.201/(5.10)	1.610/(40.90)	.134/(3.40)	
42820-4242	4	.327/(8.30)	1.610/(40.90)	.259/(6.58)	
42820-5212	5	.138/(3.50)	2.004/(50.90)	.071/(1.80)	
42820-5222	5	.201/(5.10)	2.004/(50.90)	.102/(2.60)	
42820-5232	5	.201/(5.10)	2.004/(50.90)	.134/(3.40)	
42820-5242	5	.327/(8.30)	2.004/(50.90)	.259/(6.58)	
42820-6212	6	.138/(3.50)	2.389/(60.90)	.071/(1.80)	
42820-6222	6	.201/(5.10)	2.389/(60.90)	.102/(2.60)	
42820-6229	6	.201/(5.10)	2.389/(60.90)	.102/(2.60)	
42820-6232	6	.201/(5.10)	2.389/(60.90)	.134/(3.40)	
42820-6242	6	.327/(8.30)	2.389/(60.90)	.259/(6.58)	
42820-2332	2	.201/(5.10)	.823/(20.90)	N/A	
42820-2342	2	.327/(8.30)	.823/(20.90)	N/A	
42820-2213	2	.138/(3.50)	.823/(20.90)	.071/(1.80)	
42820-2223	2	.201/(5.10)	.823/(20.90)	.102/(2.60)	
42820-2233	2	.201/(5.10)	.823/(20.90)	.134/(3.40)	
42820-2243	2	.327/(8.30)	.823/(20.90)	.259/(6.58)	
42820-3213	3	.138/(3.50)	1.217/(30.90)	.071/(1.80)	
42820-3228	3	.138/(3.50)	1.217/(30.90)	.102/(2.60)	
42820-3223	3	.201/(5.10)	1.217/(30.90)	.102/(2.60)	
42820-3233	3	.201/(5.10)	1.217/(30.90)	.134/(3.40)	
42820-3243	3	.327/(8.30)	1.217/(30.90)	.259/(6.58)	
42820-4213	4	.138/(3.50)	1.610/(40.90)	.071/(1.80)	SELECT GOLD IN CONTACT AREA
42820-4223	4	.201/(5.10)	1.610/(40.90)	.102/(2.60)	SELECT MATTE TIN ON SOLDER TAILS
42820-4233	4	.201/(5.10)	1.610/(40.90)	.134/(3.40)	
42820-4243	4	.327/(8.30)	1.610/(40.90)	.259/(6.58)	
42820-5213	5	.138/(3.50)	2.004/(50.90)	.071/(1.80)	
42820-5223	5	.201/(5.10)	2.004/(50.90)	.102/(2.60)	
42820-5233	5	.201/(5.10)	2.004/(50.90)	.134/(3.40)	
42820-5243	5	.327/(8.30)	2.004/(50.90)	.259/(6.58)	
42820-6213	6	.138/(3.50)	2.389/(60.90)	.071/(1.80)	
42820-6223	6	.201/(5.10)	2.389/(60.90)	.102/(2.60)	
42820-6233	6	.201/(5.10)	2.389/(60.90)	.134/(3.40)	
42820-6243	6	.327/(8.30)	2.389/(60.90)	.259/(6.58)	



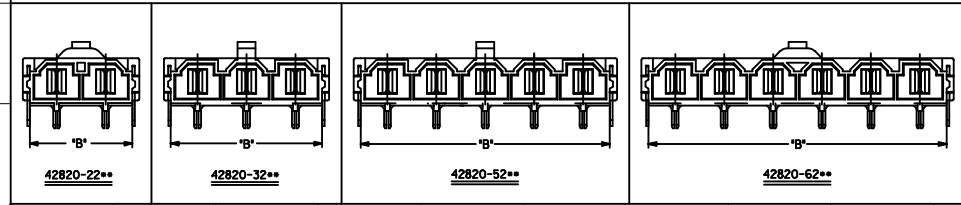
- NOTES:**
- MATERIAL:
HOUSING MATERIAL: 30% GLASS-FILLED NYLON 4/6, U.L. 94V-0, COLOR: BLACK.
TERMINAL MATERIAL: ALLOY 15L
 - FINISH: 2= .000100/(.00254) MIN. *TIN OVER .000050/(.00127) MIN. NICKEL.
3= .000030/(.00076) MIN. SELECT GOLD IN CONTACT AREA.
.000100/(.00254) MIN. SELECT *TIN ON SOLDER TAILS OVER .000050/(.00127) MIN. NICKEL.
* THE PRIMARY SHIPPING CARTON WILL BE LABELED "COMPLIANT TO RoHS DIRECTIVE 2002/95/EC AND ELV ANNEX II OF DIRECTIVE 2000/53/EC". CARTONS WITHOUT THIS LABEL MAY CONTAIN PRODUCT WITH TIN-LEAD.
 - PRODUCT SPECIFICATION: PS-42816-001
 - PACKAGING INFORMATION SEE MOLEX PACKAGING SPEC. PK-42820-910
 - PART MATES WITH MOLEX RECEPTACLE *42816-***2 WITH TPA.
 - PART IS DESIGNED IN METRIC.
 - AN 'X' IN FRONT OF THE ITEM NUMBER INDICATES THE PART IS NOT TOoled.
 - PARTS ARE NOT TO BE MATED OR UNMATED WHILE CIRCUITS ARE LIVE.
 - WHEN USING OVERALL TIN PLATED TERMINALS: FOR APPLICATIONS INVOLVING VIBRATION AND/OR THERMAL CYCLING, MOLEX STRONGLY RECOMMENDS THE USE OF NYE LUBRICANT (NYOGEL 7600) ON THE MATING SURFACES OF THE TERMINAL.
 - PARTS CONFORMS TO CLASS 'B' REQUIREMENTS OF COSMETIC SPECIFICATION PS-45499-002
 - FOR TAPE AND REEL PACKAGING REFER TO PK-45866-004

LEGEND:
A-42820 - *
CIRCUIT SIZE (2-6)
MOUNTING OPTION
1 = FLANGES (SEE DWG. SDA-42820-***)
2 = RETENTION CLIP
3 = NO RETENTION CLIP
P.C. BOARD THICKNESS
1 = .062/(1.57) NOMINAL
2 = .093/(2.36) NOMINAL
3 = .125/(3.18) NOMINAL
4 = .250/(6.35) NOMINAL
PLATING
2 OR 9= OVERALL BRIGHT TIN OVER NICKEL
3 OR 8= SELECT GOLD IN CONTACT AREA
SELECT MATTE TIN ON SOLDER TAILS OVER NICKEL

RECOMMENDED P.C. BOARD PLATED-THRU HOLE LAYOUT (4 CKT. SHOWN FOR REF.)



HEADER WITH RT. ANGLE TERMINAL & CLIP ISO VIEW



ADD NOTE 11 EEC NO. UCP2009-0752 DRAWING: GAVRILL 2008/10/10 CHKD: AELHAG 2008/10/10 APPR: FSW/MT 2008/10/10 REV: DESCRIPTION	QUALITY SYMBOLS ▽=0 ▽=0		GENERAL TOLERANCES (UNLESS SPECIFIED) <table border="1"> <tr> <th></th> <th>mm</th> <th>INCH</th> </tr> <tr> <td>4 PLACES</td> <td>±.005</td> <td>±.0002</td> </tr> <tr> <td>3 PLACES</td> <td>±.005</td> <td>±.0002</td> </tr> <tr> <td>2 PLACES</td> <td>±0.25</td> <td>±.010</td> </tr> <tr> <td>1 PLACE</td> <td>±0.40</td> <td>±.016</td> </tr> </table>			mm	INCH	4 PLACES	±.005	±.0002	3 PLACES	±.005	±.0002	2 PLACES	±0.25	±.010	1 PLACE	±0.40	±.016	DIMENSION STYLE IN/MM SCALE: 4:1 DESIGN UNITS: METRIC THIRD ANGLE PROJECTION	
		mm	INCH																		
4 PLACES	±.005	±.0002																			
3 PLACES	±.005	±.0002																			
2 PLACES	±0.25	±.010																			
1 PLACE	±0.40	±.016																			
DRAFT WHERE APPLICABLE MUST REMAIN WITHIN DIMENSIONS		DRAWN BY: KSM DATE: 1/11/96 CHECKED BY: SF DATE: 1/11/96 APPROVED BY: SF DATE: 1/11/96 MATERIAL NO.: SEE CHART DOCUMENT NO.: SDA-42820-0002 SHEET NO.: 1 OF 1		RIGHT ANGLE HEADER ASSEMBLY MINIFIT SR. SERIES MOLEX INCORPORATED																	